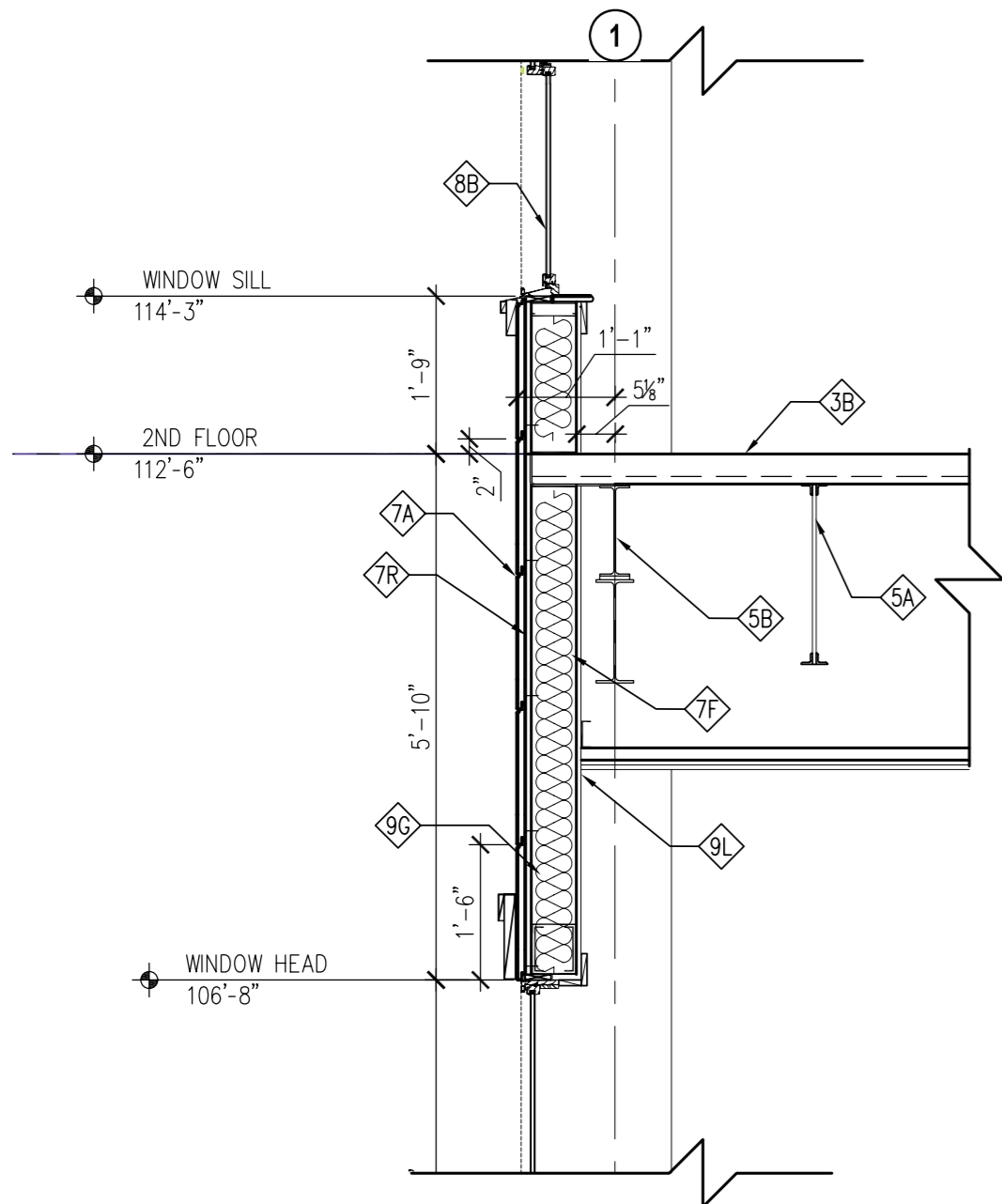
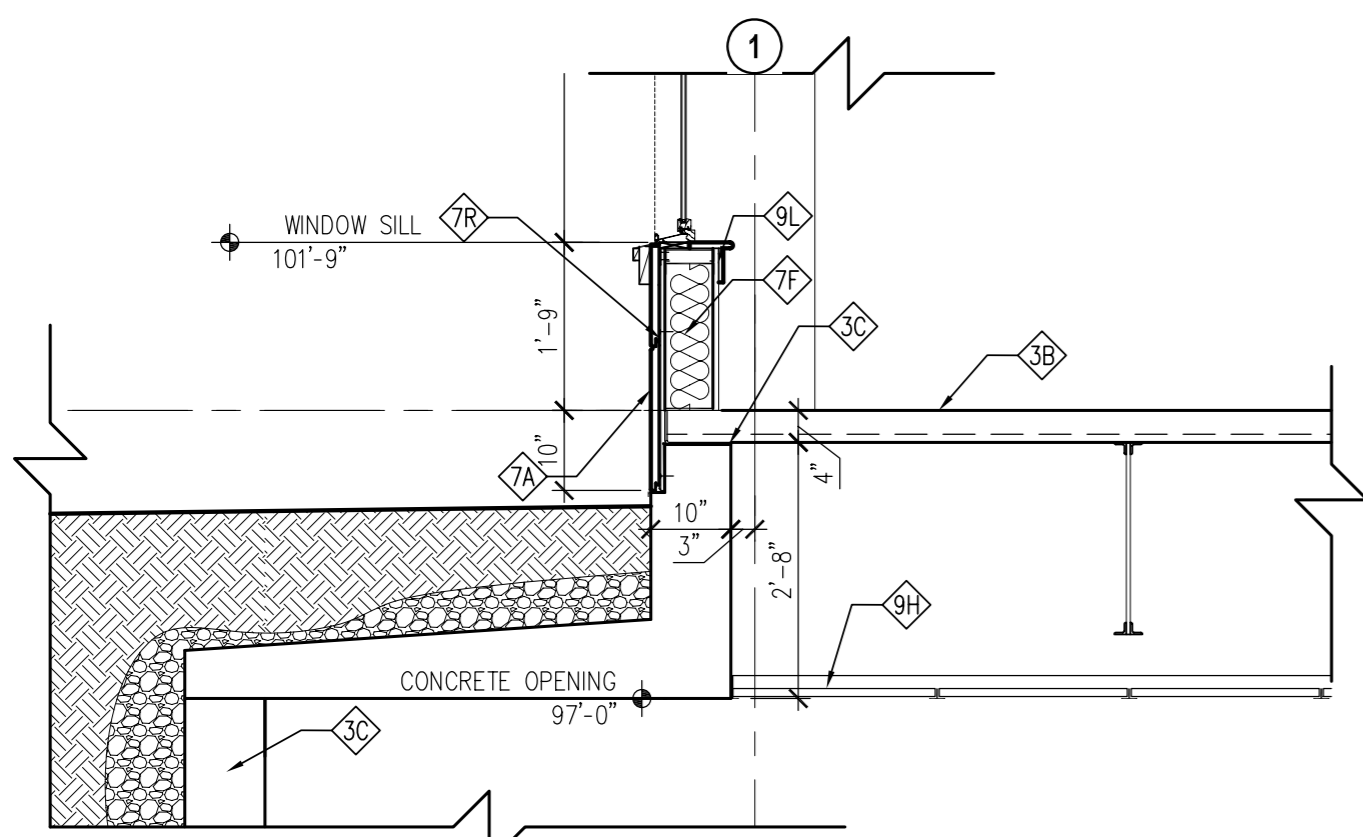


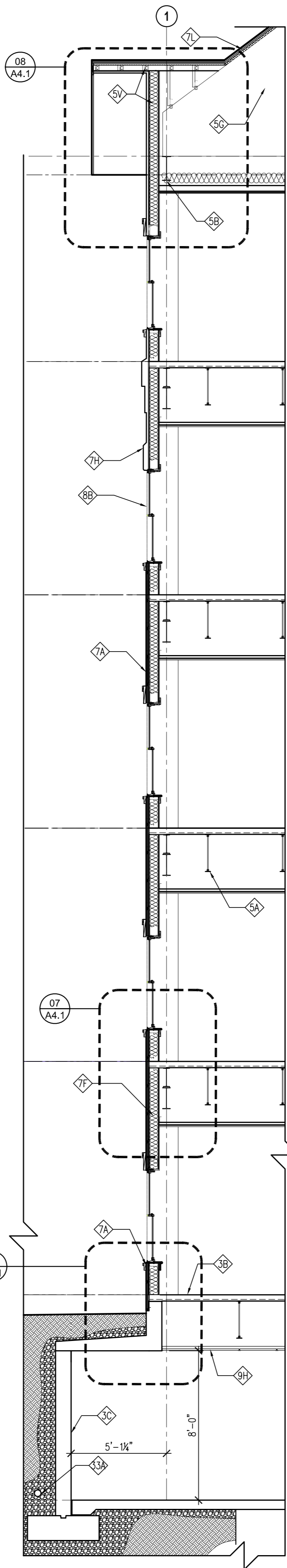
08 SECTION DETAIL
A4.1 SCALE: 1/2" = 1'-0"



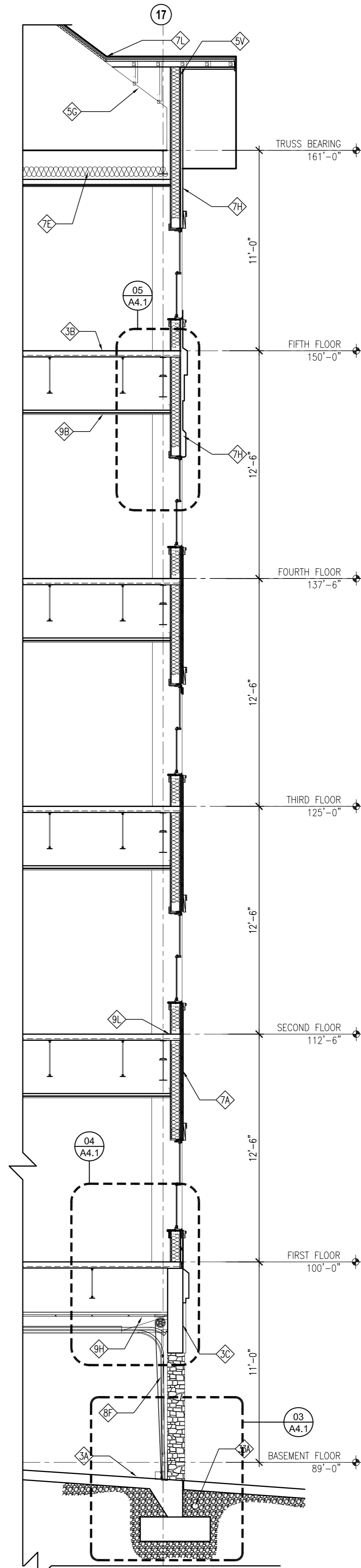
07 SECTION DETAIL
A4.1 SCALE: 1/2" = 1'-0"



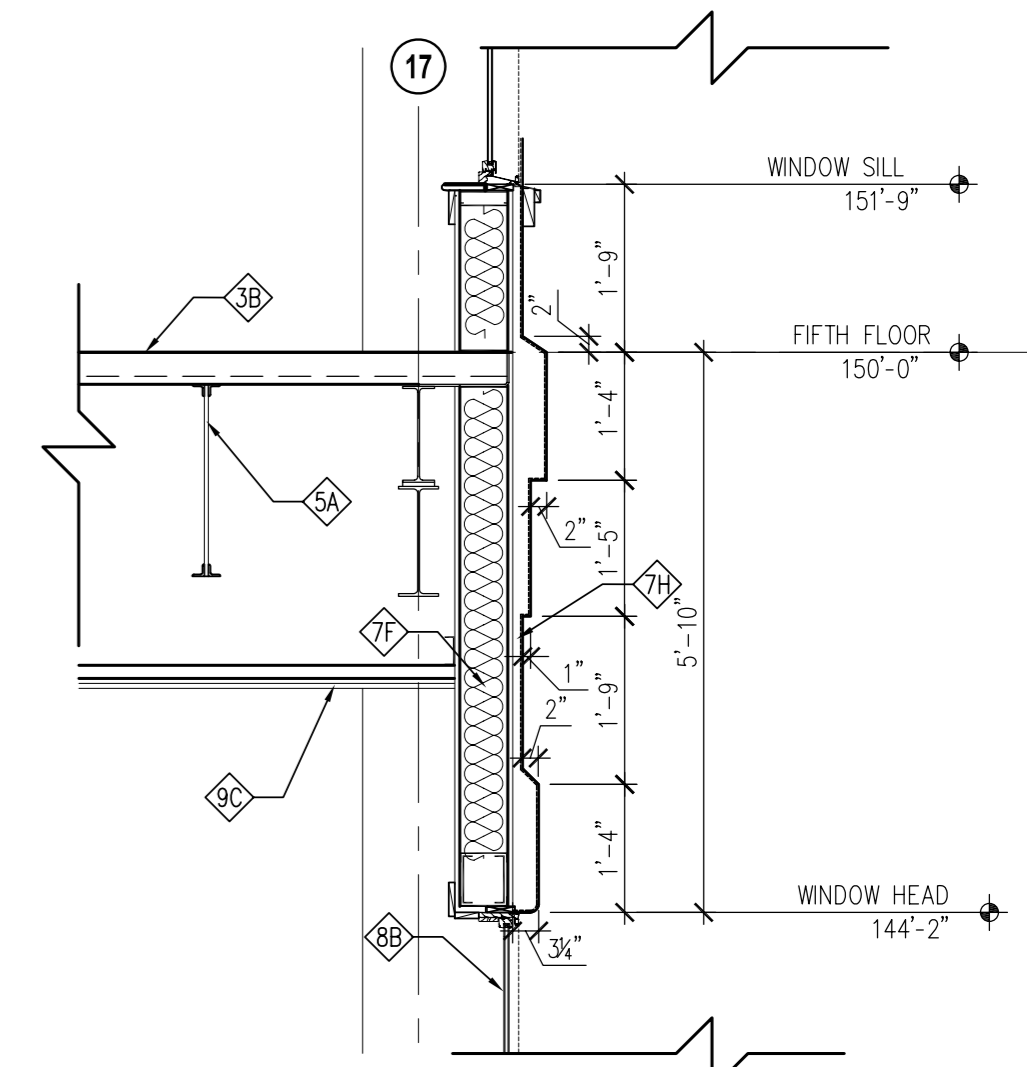
06 SECTION DETAIL
A4.1 SCALE: 1/2" = 1'-0"



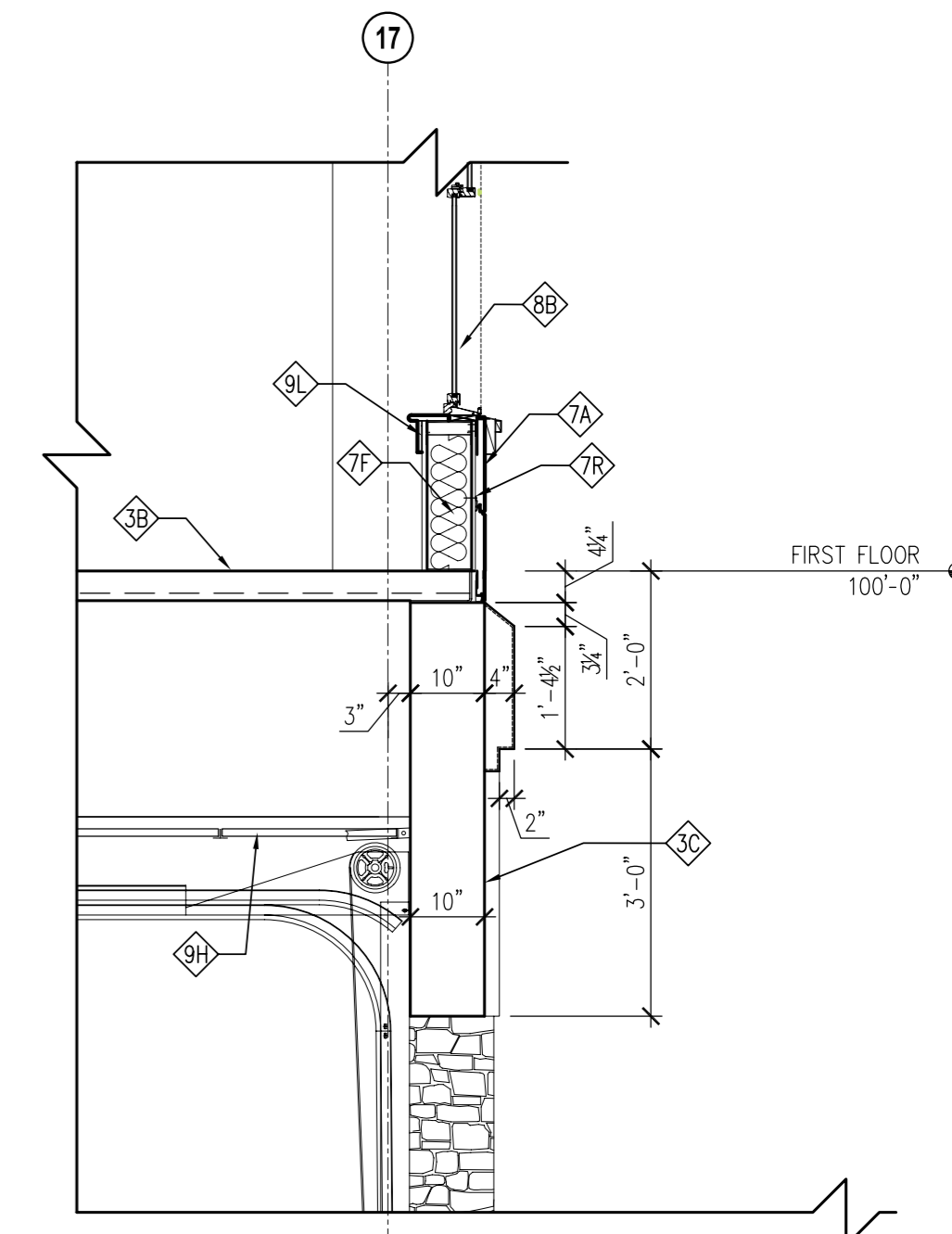
01 WALL SECTION
A4.1 SCALE: 1/4" = 1'-0"



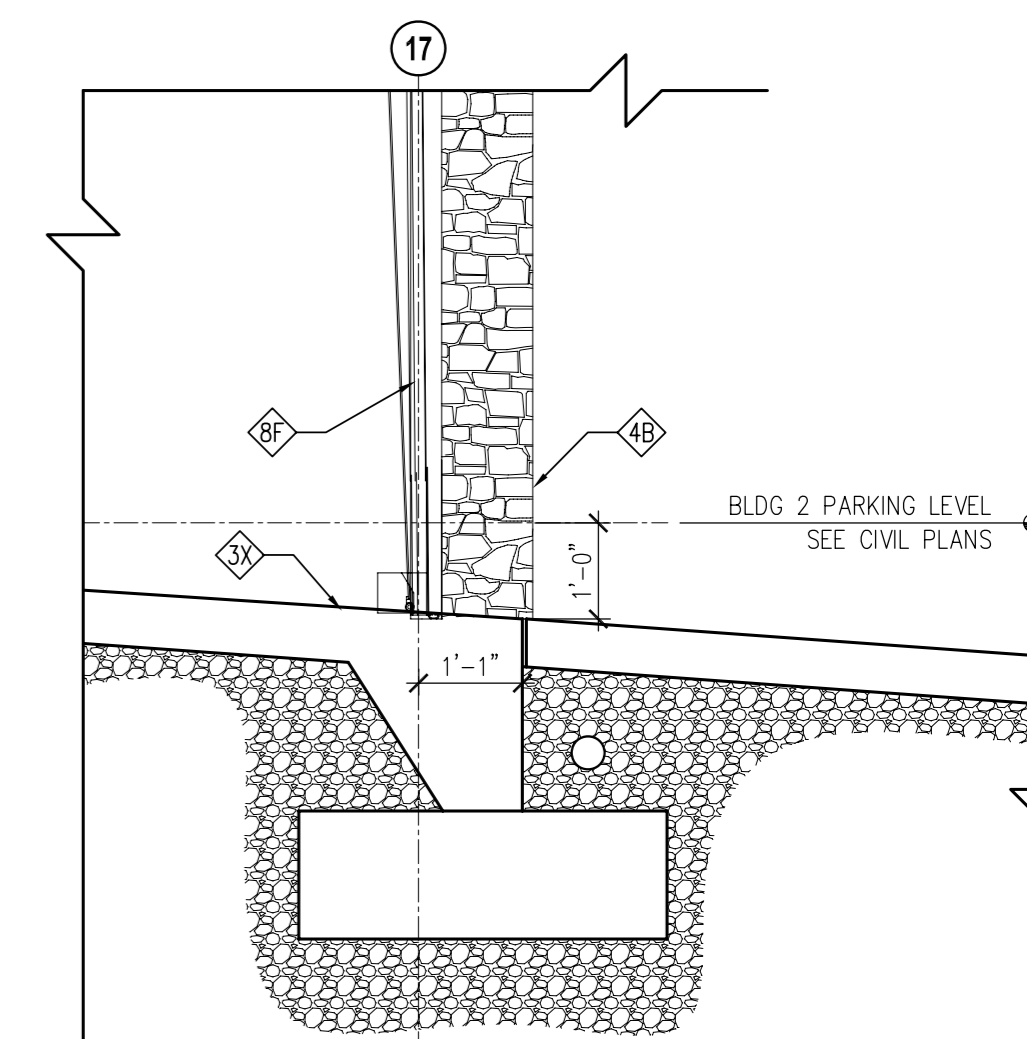
02 WALL SECTION
A4.1 SCALE: 1/4" = 1'-0"



05 SECTION DETAIL
A4.1 SCALE: 1/2" = 1'-0"



04 SECTION DETAIL
A4.1 SCALE: 1/2" = 1'-0"



03 SECTION DETAIL
A4.1 SCALE: 1/2" = 1'-0"